

		Description	Default value
01	FrE	Free play mode	off
02	rdd	Record drop delay (minutes)	005
03	rdV	Record drop value (points)	005
04	rdL	Record drop limit (points)	800
05	be1	Best score limit	999
06	Cr1	Power correction	055
07	Cr2	Power correction (set same value as in Cr1)	99
08-14	PL1 - PL7	Credit setting for 1st, 2nd, 3rd channel of coin-acceptor and 1st, 2nd, 3rd, 4th channel of bill-acceptor *	
15-21	PE1 - PE7	Extra credit setting for 1st, 2nd, 3rd channel of coin-acceptor and 1st, 2nd, 3rd, 4th channel of bill-acceptor *	
22-28	Cn1 - Cn7	Money counter setting for 1st, 2nd, 3rd channel of coin-acceptor and 1st, 2nd, 3rd, 4th channel of bill-acceptor **	
29	---	Game counter	
30	---	(not used)	
31	---	Daily money counter ***	
32	---	Total money counter	
33	---	Daily games counter ***	
34	---	Total games counter	
35	---	Daily free games counter ***	
36	---	Total free games counter	
37	Clr	Clear active credits	no
38	tFr	Tickets for best score	002
39-41	t-1 - t-3	Tickets and points value for exceeding 1st, 2nd, 3rd score threshold ****	
42-48	tc1-tc7	Tickets for coins and bills inserted on 1st, 2nd, 3rd channel of coin-acceptor and 1st, 2nd, 3rd, 4th channel of bill-acceptor	
49	dFL	Restore default settings	no

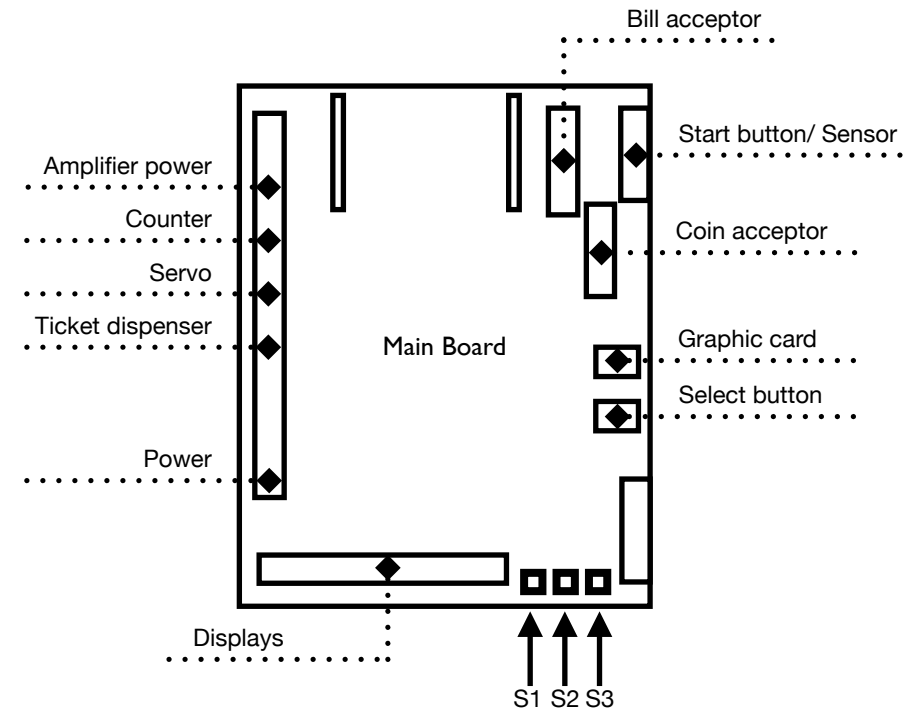
* - Credit quantity for one coin or bill on this channel.

** - Value of coin or bill on this channel.

*** - To reset press and hold S2 and S3 on the main-board.

**** - First value represents amount of hundreds of points for score threshold. Second value represents ticket quantity. 3-1 stand for „If score is higher than 300 points, give 1 ticket“.

BOXER
ARCADE GAME



Warning: Making adjustments or performing procedures other than those specified in your equipment's manual may result in hazardous electric shock.

Warning: The wiring system in your Kriss-Sport Boxer machine is under voltage that is safe in normal use but may be harmful while improper use. For your safety, have all electrical equipment serviced only by an Kriss-Sport Authorized Service Provider.

Warning: While replacing fuse make sure that the switch is off. Use only 5A low-burn fuses.

Global Technical Support

Online support: <http://kriss-sport.com/support/>

E-mail: support@kriss-sport.com

Skype: **kriss-sport-support**

Phone: **+48 601 521 140**